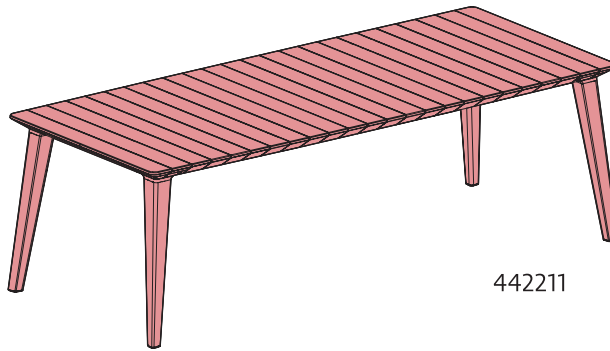
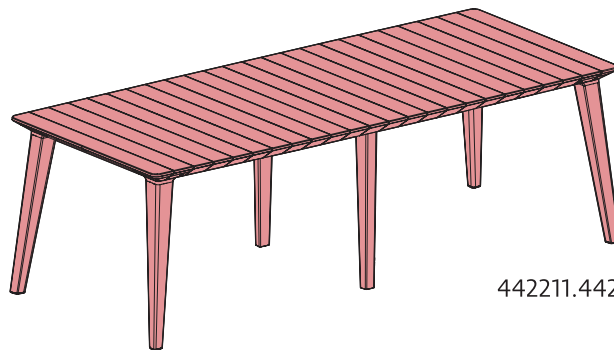


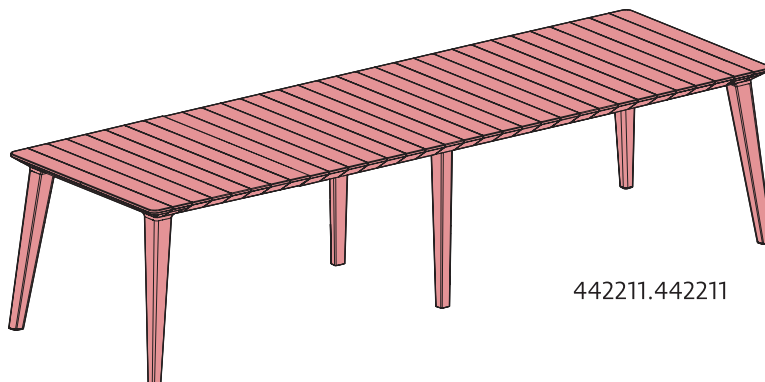
442210



442211



442211.442215



442211.442211

LIMA TABLE V02 / 577441

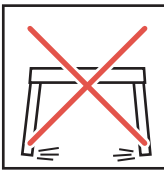
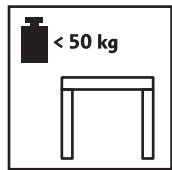
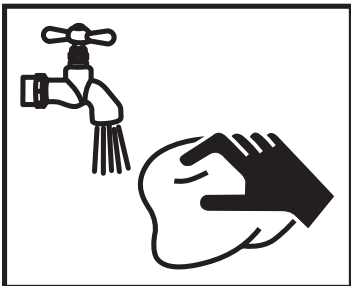
**ALLIBERT** 



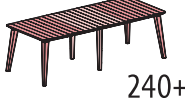
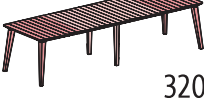
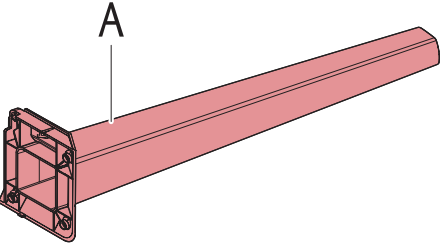
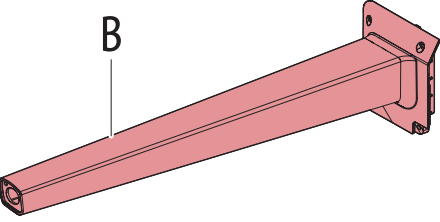
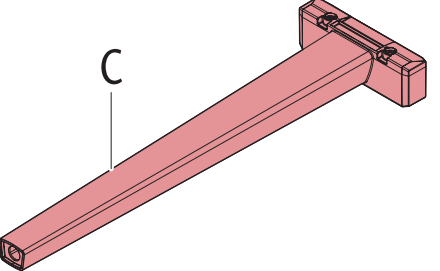
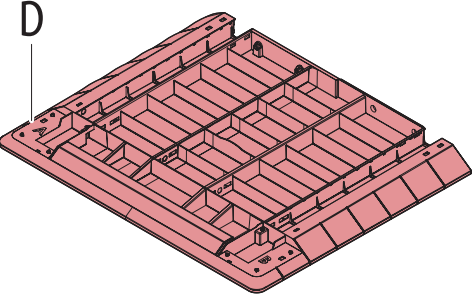
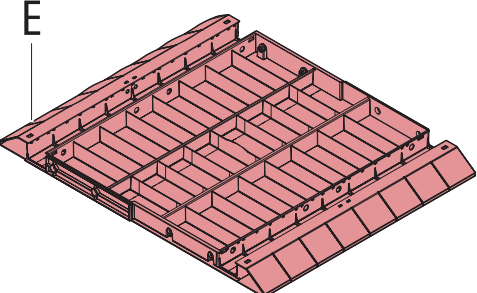
Ericssonstraat 17 | 5121 MK Rijen | The Netherlands | [WWW.ALLIBERT-OUTDOOR.COM](http://WWW.ALLIBERT-OUTDOOR.COM)

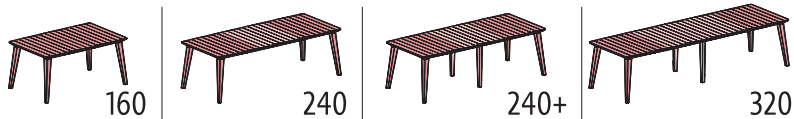


NEN 581		
✓	✓	✗

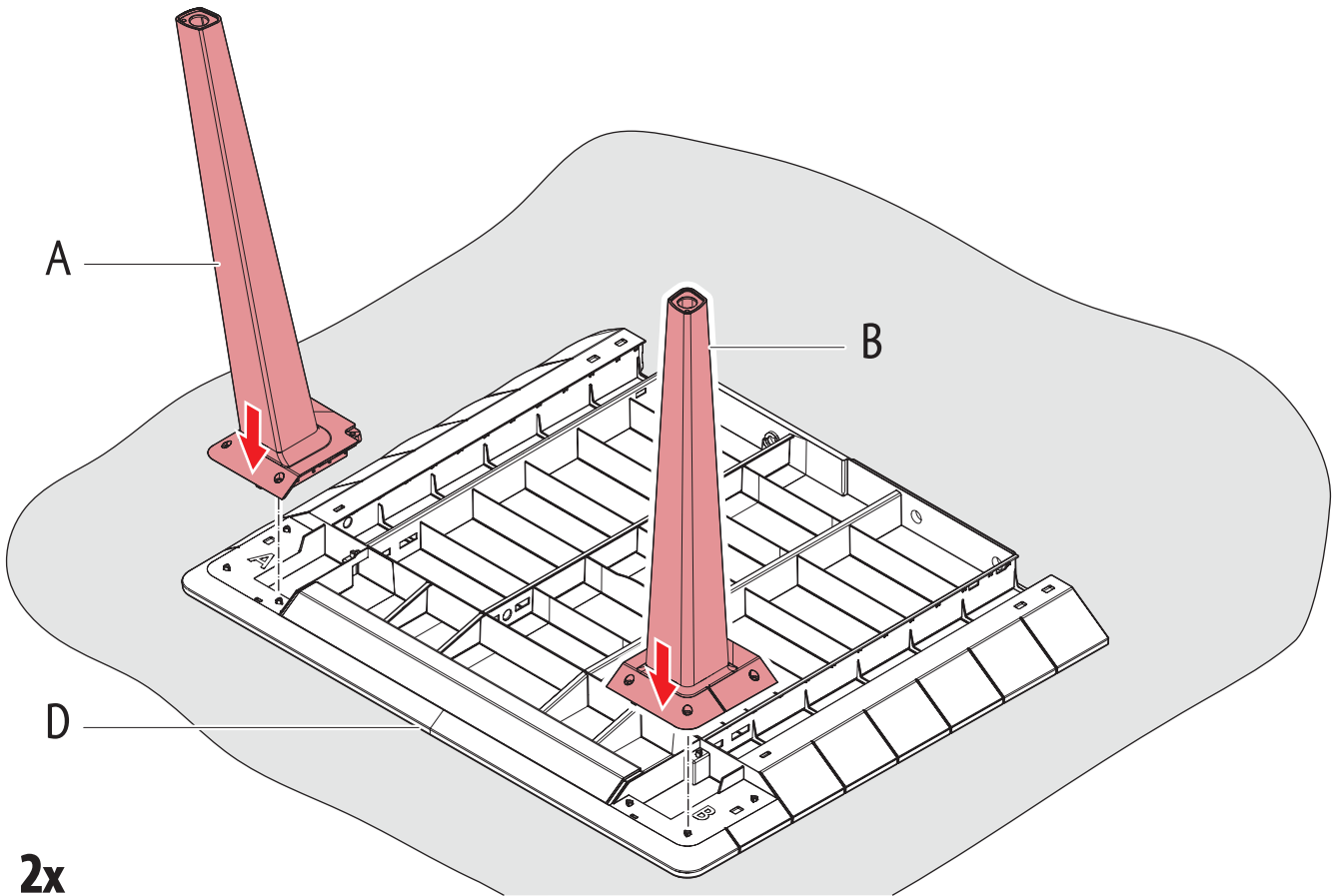
✗	✓



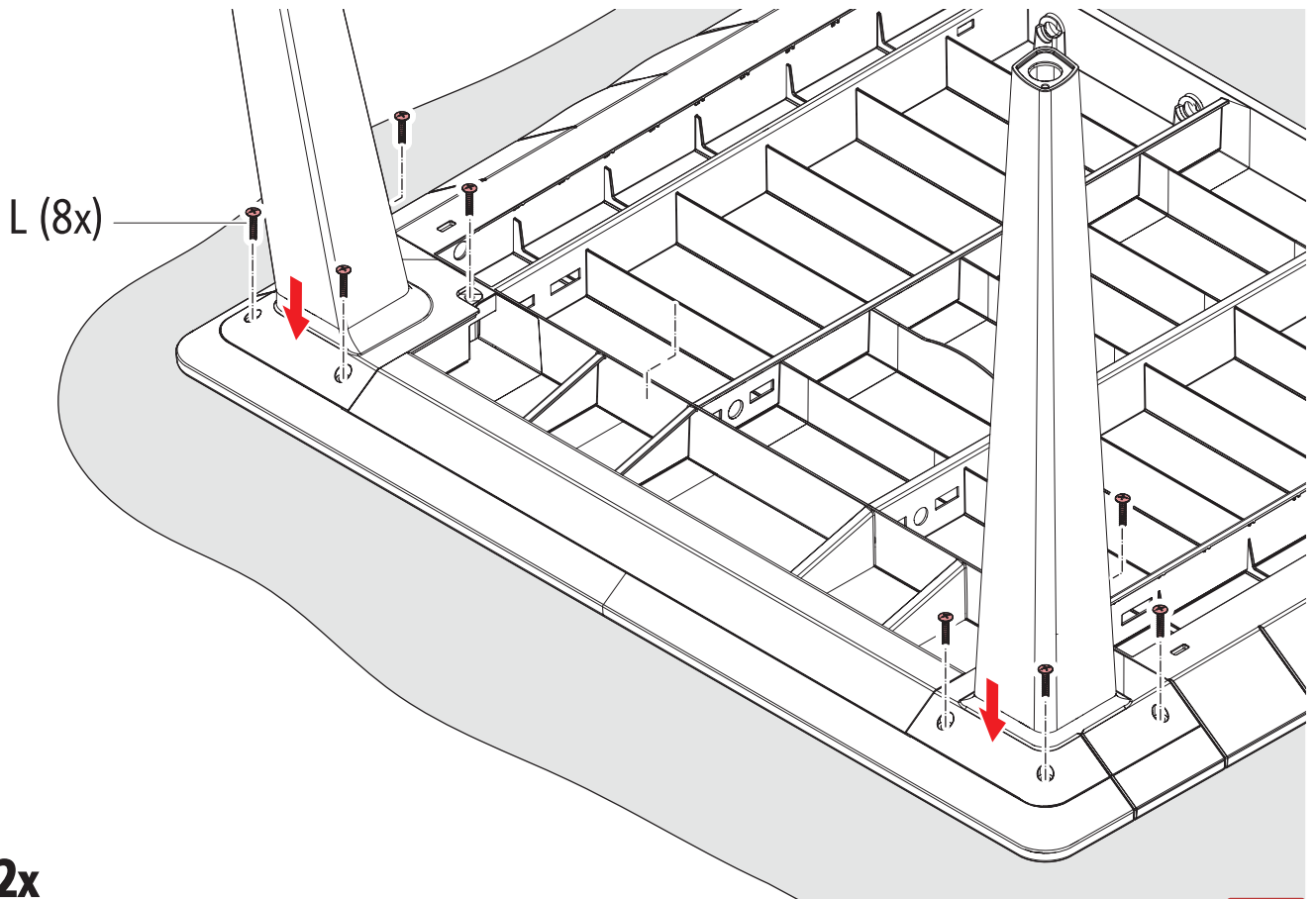
	 160	 240	 240+	 320
 A	2x	2x	2x	2x
 B	2x	2x	2x	2x
 C	-	-	2x	2x
 D	2x	2x	2x	2x
 E	-	1x	1x	2x



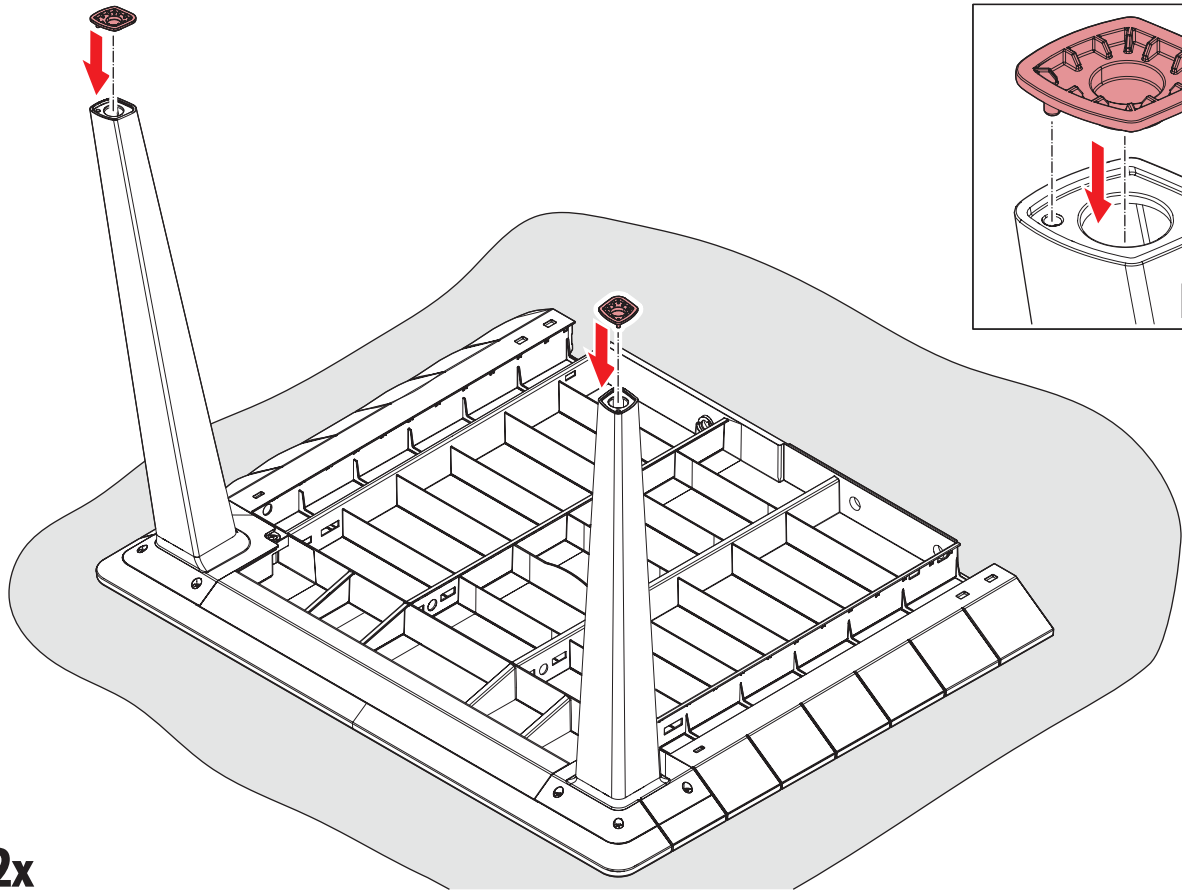
	160	240	240+	320
<p>F</p>	2x	4x	4x	6x
<p>G</p>	4x	8x	12x	16x
<p>H</p>	2x	4x	4x	4x
<p>J</p>	-	2x	-	-
<p>K</p>	4x	4x	4x	4x
<p>L</p>	16x	16x	16x	16x



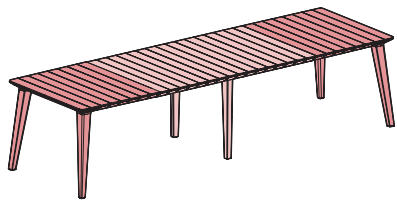
1



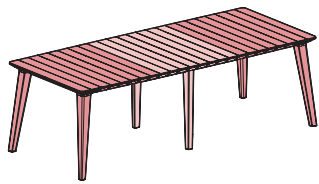
2



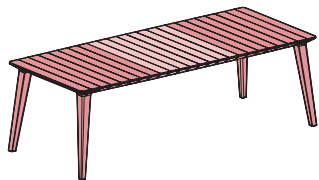
3



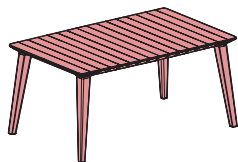
4 — 7



8 — 11

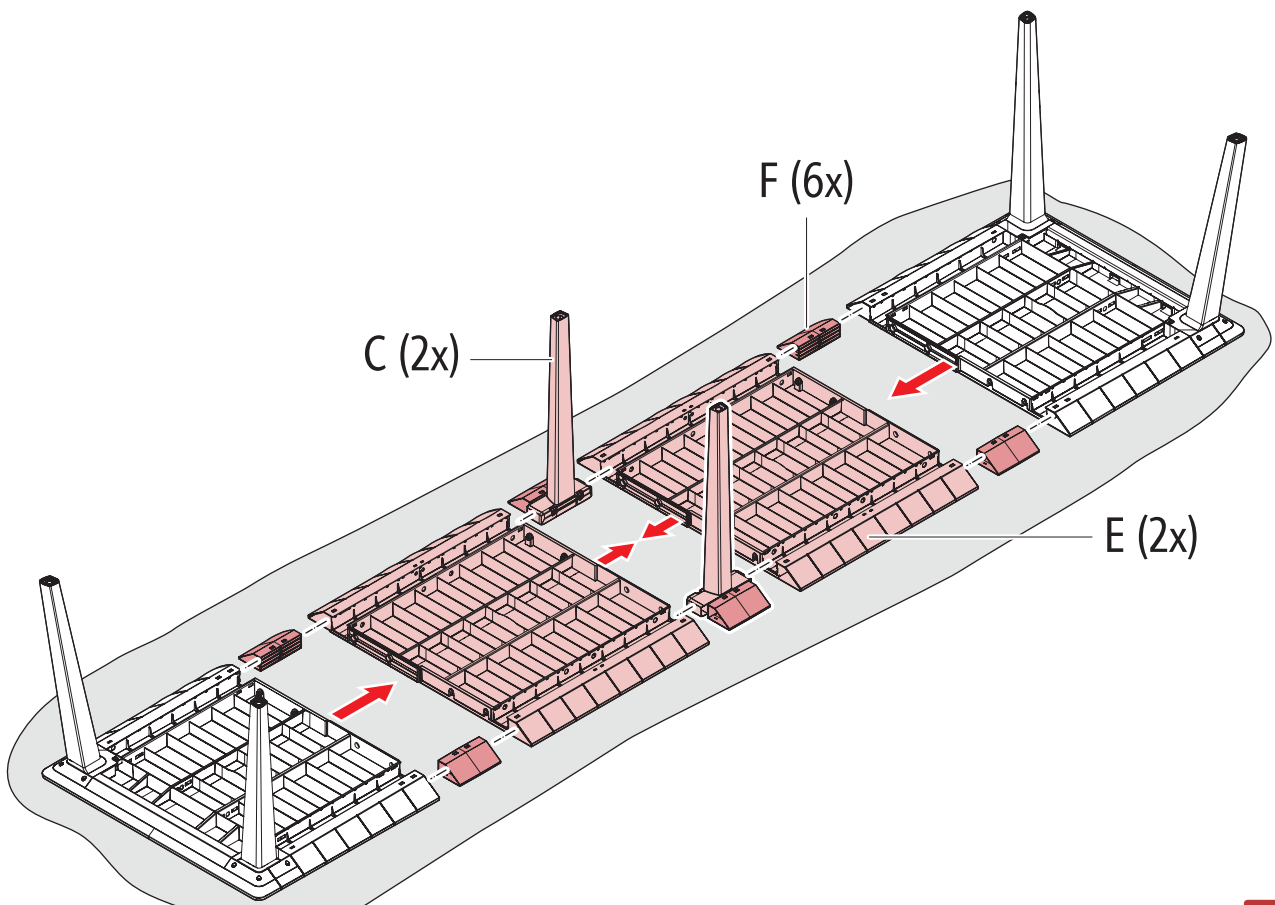
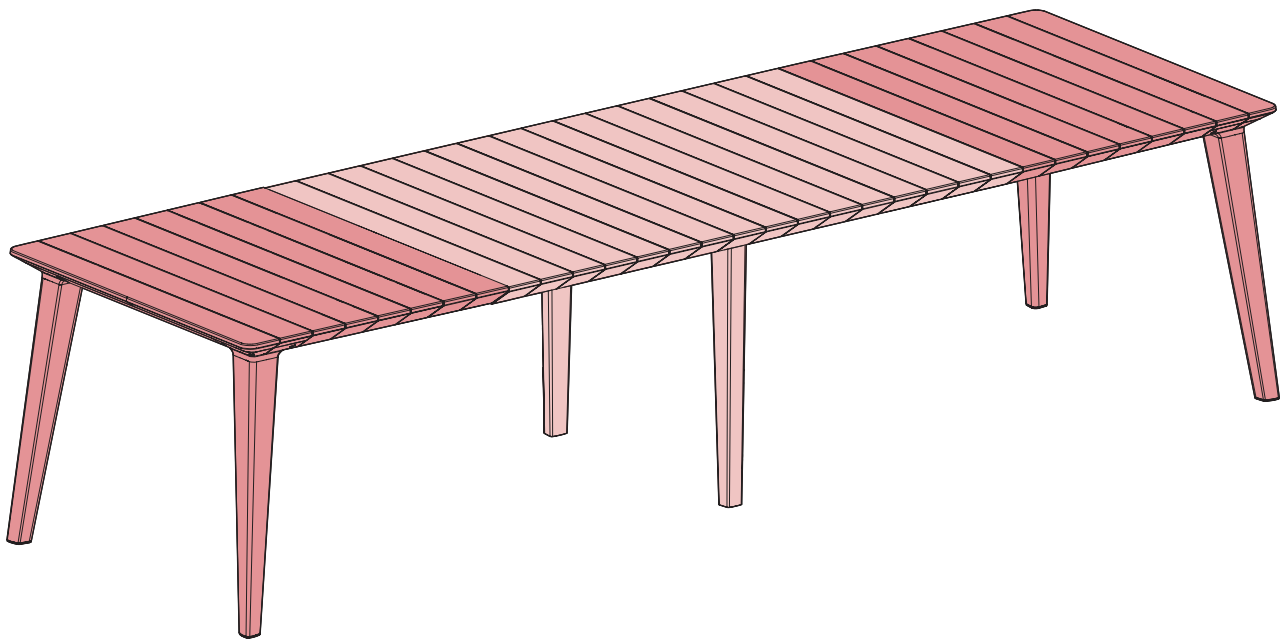


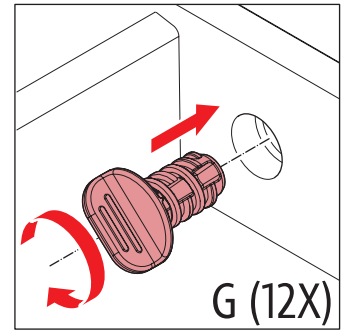
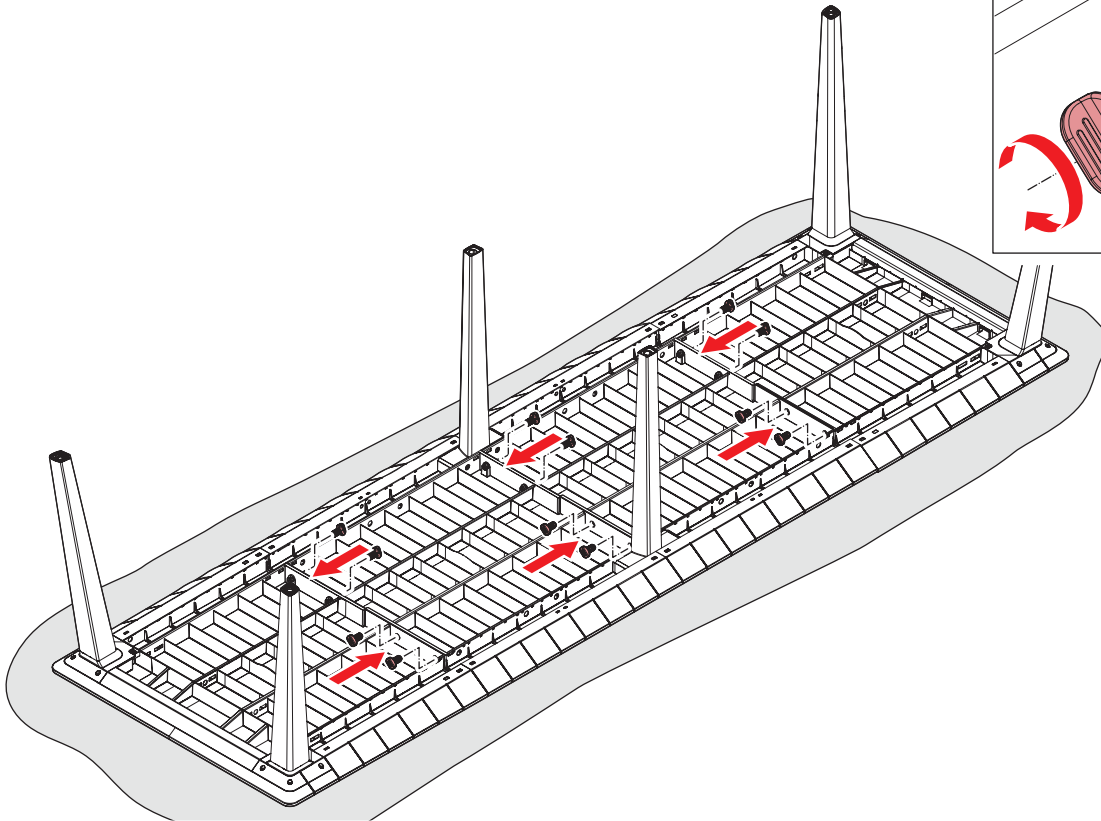
12 — 15



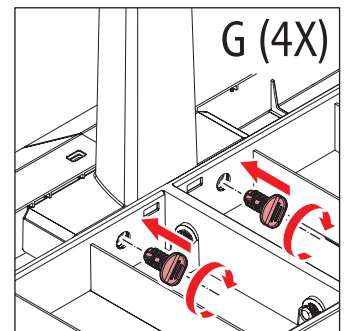
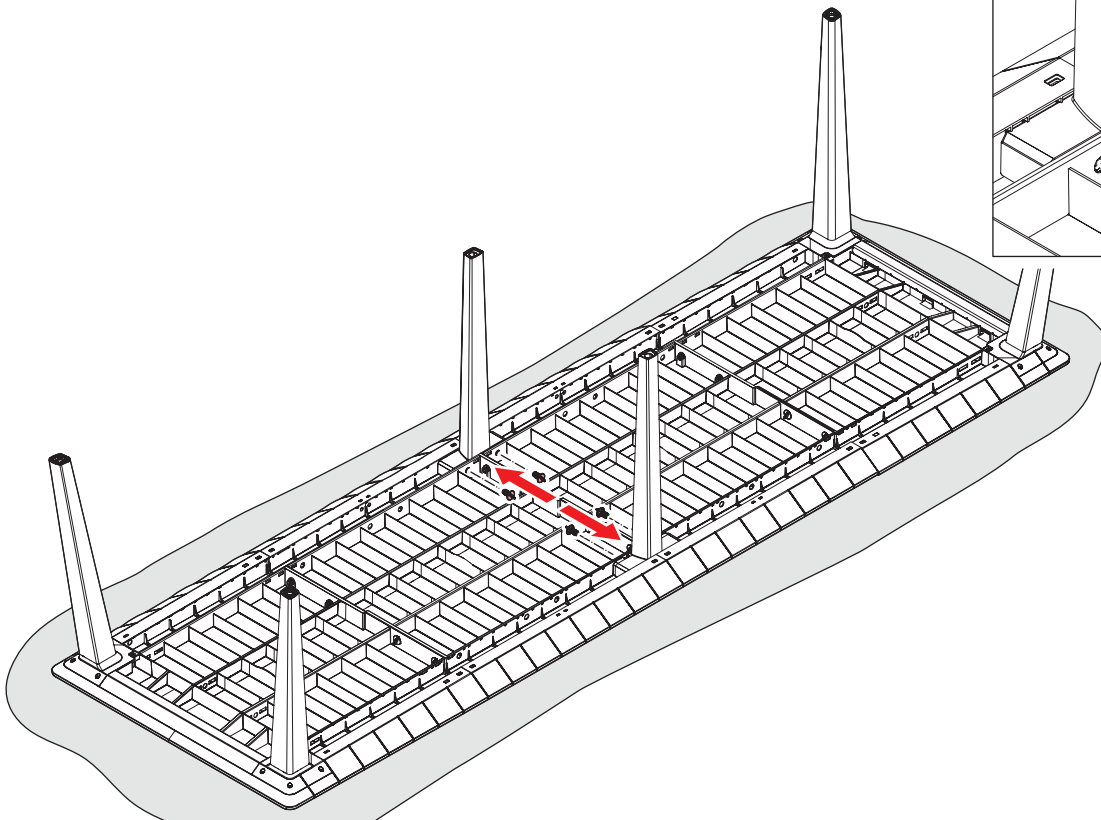
16 — 18

320



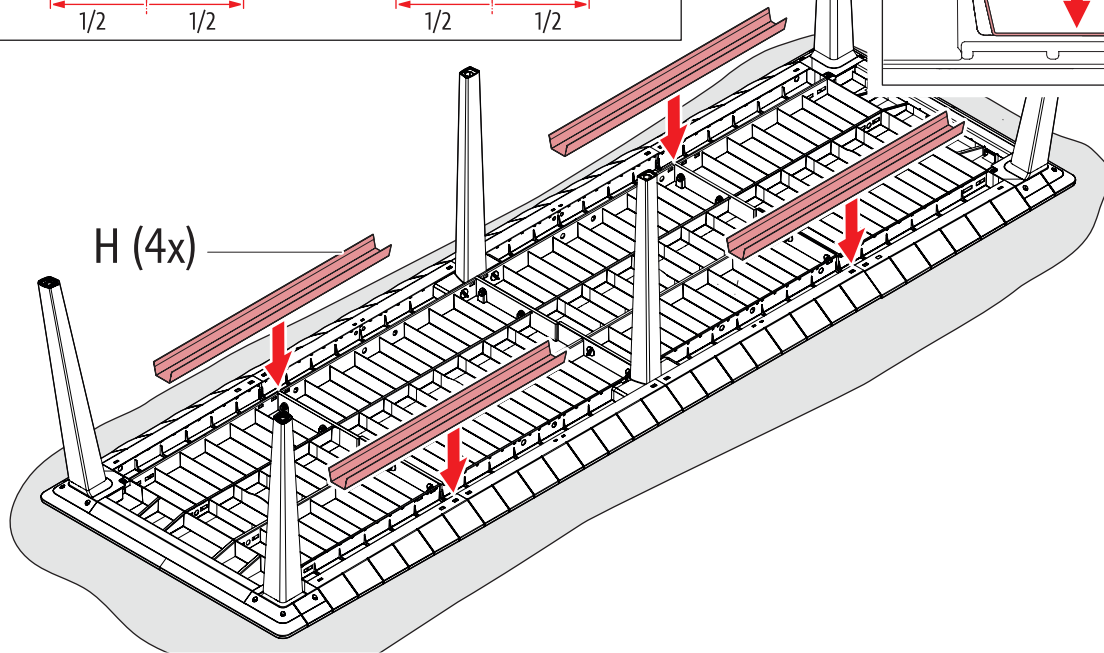
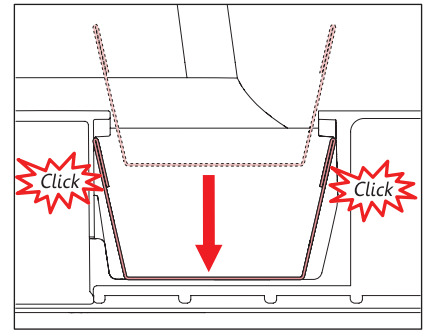
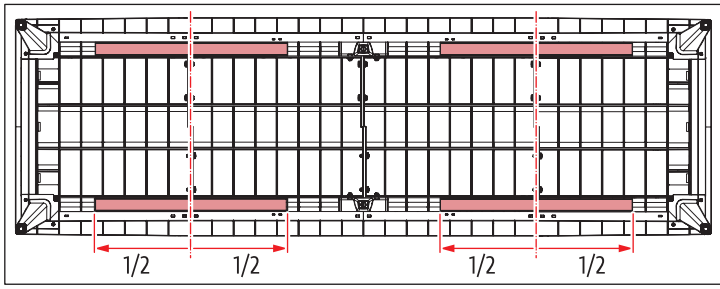


5



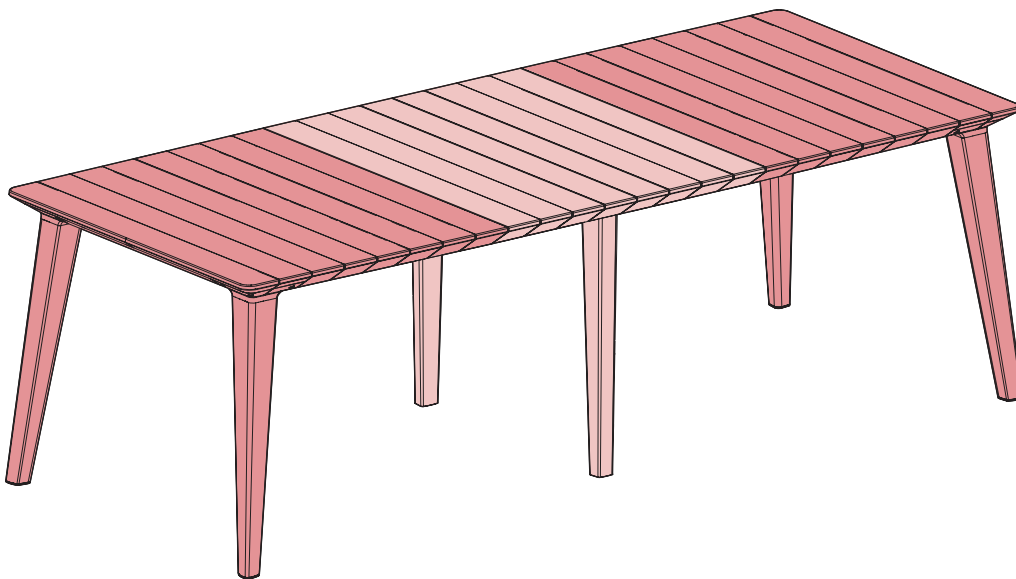
6

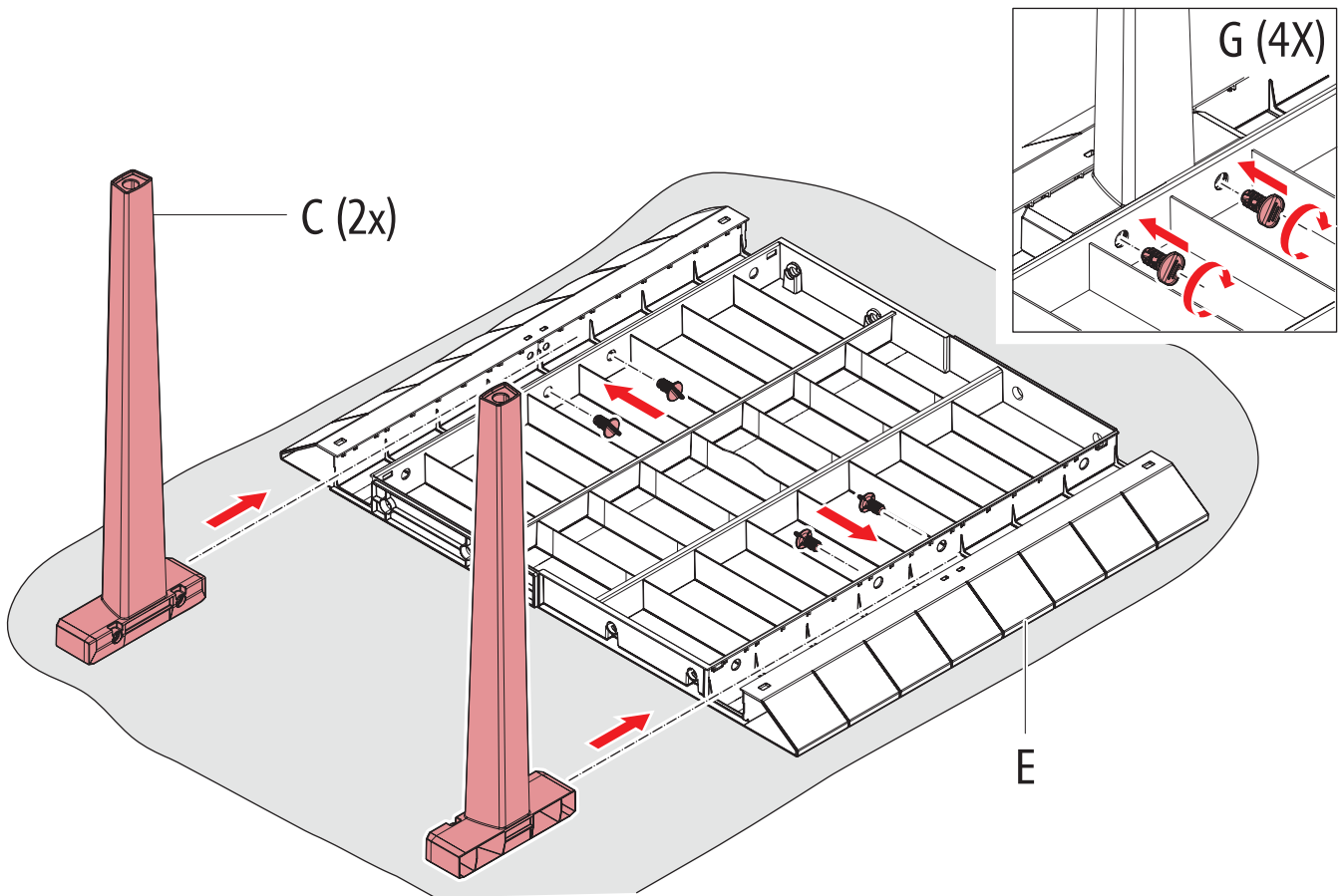




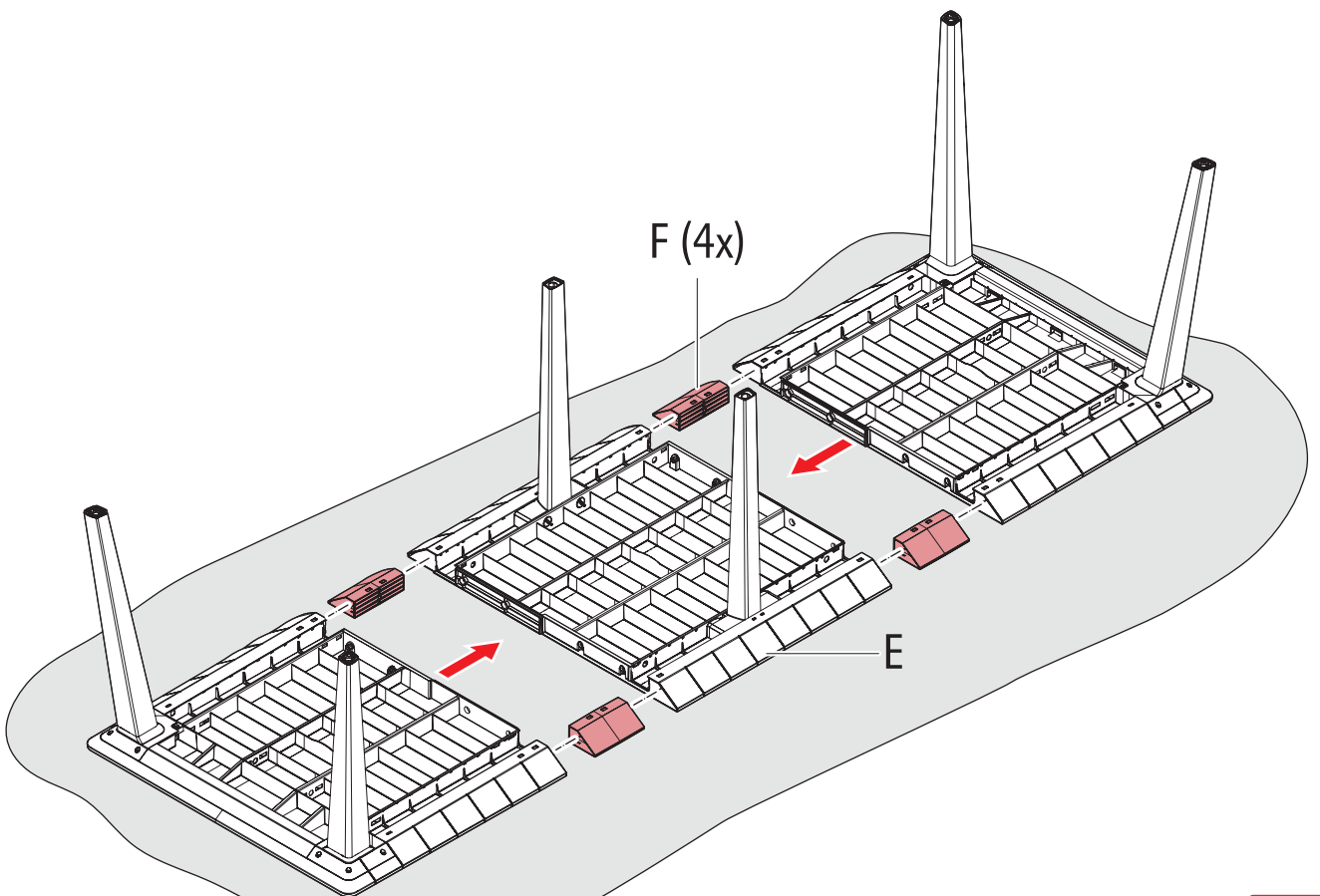
7

240+

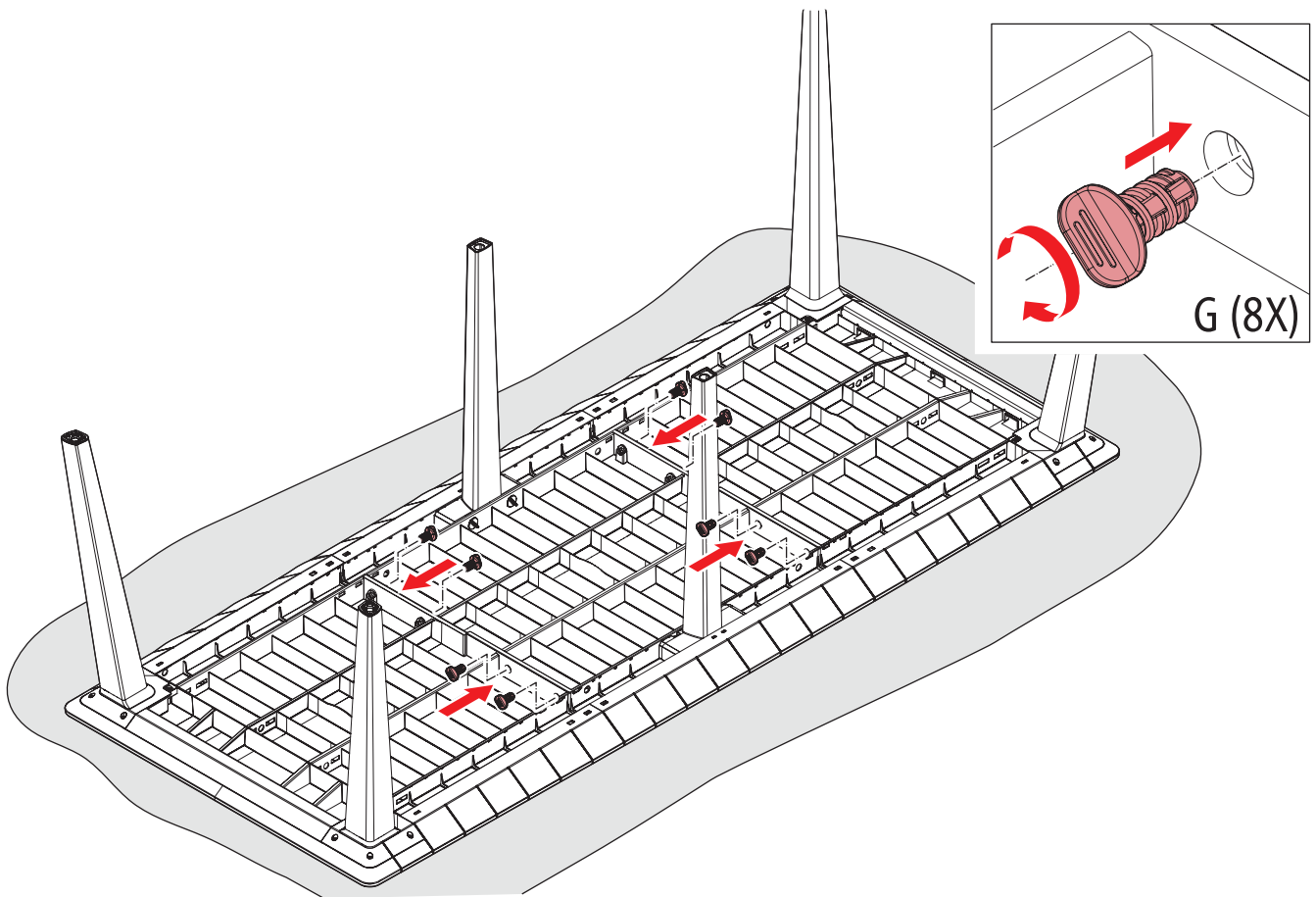




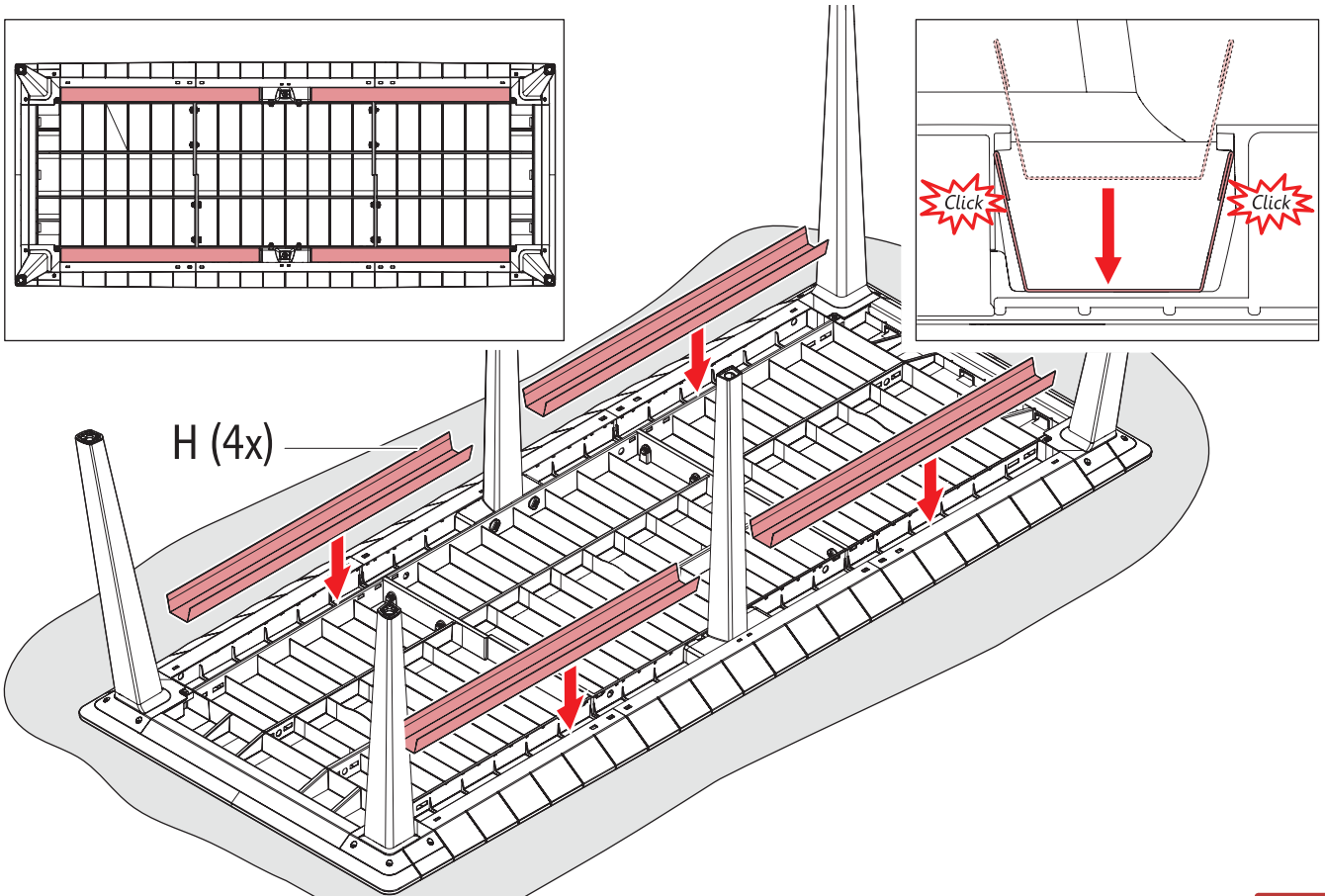
8



9

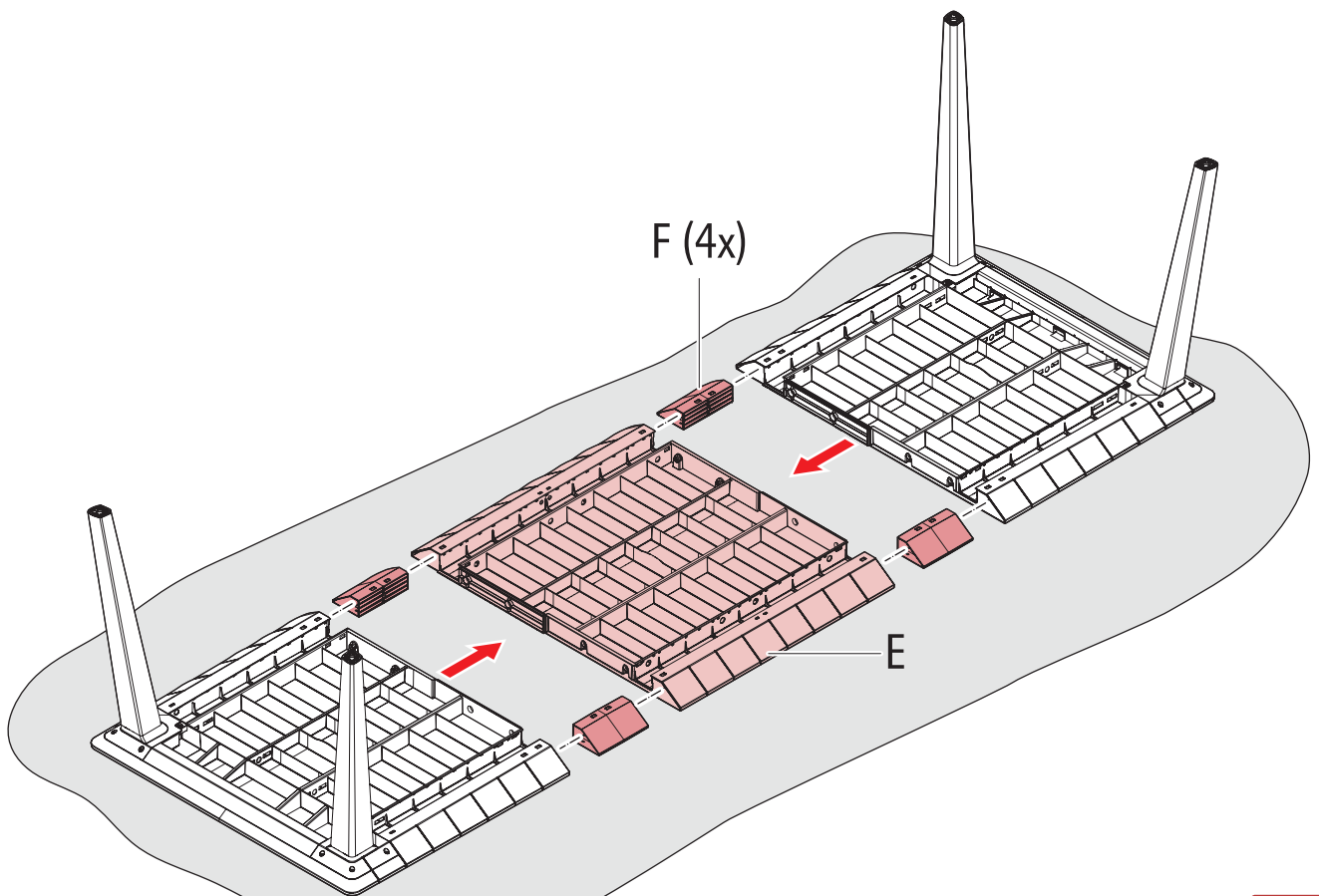
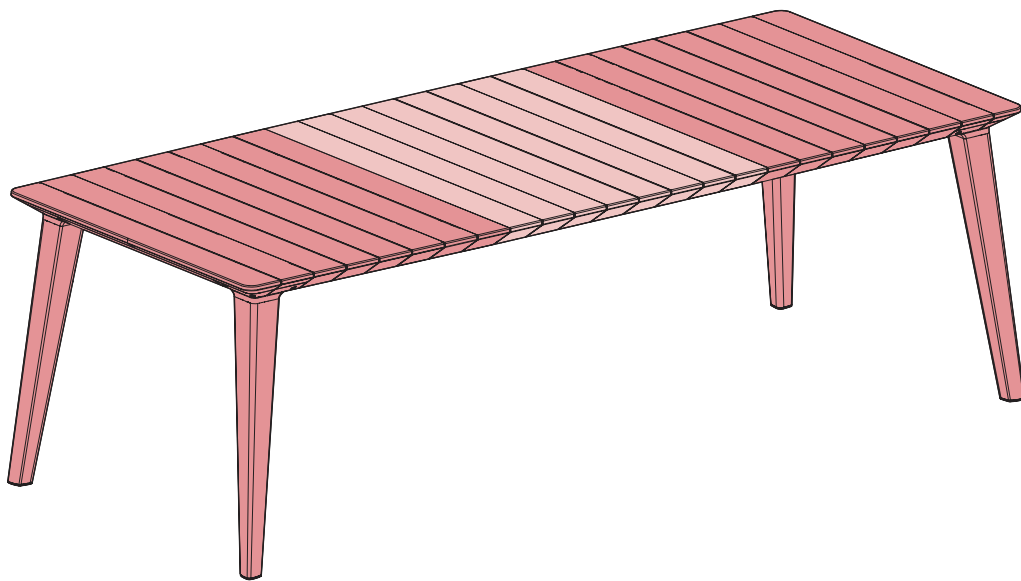


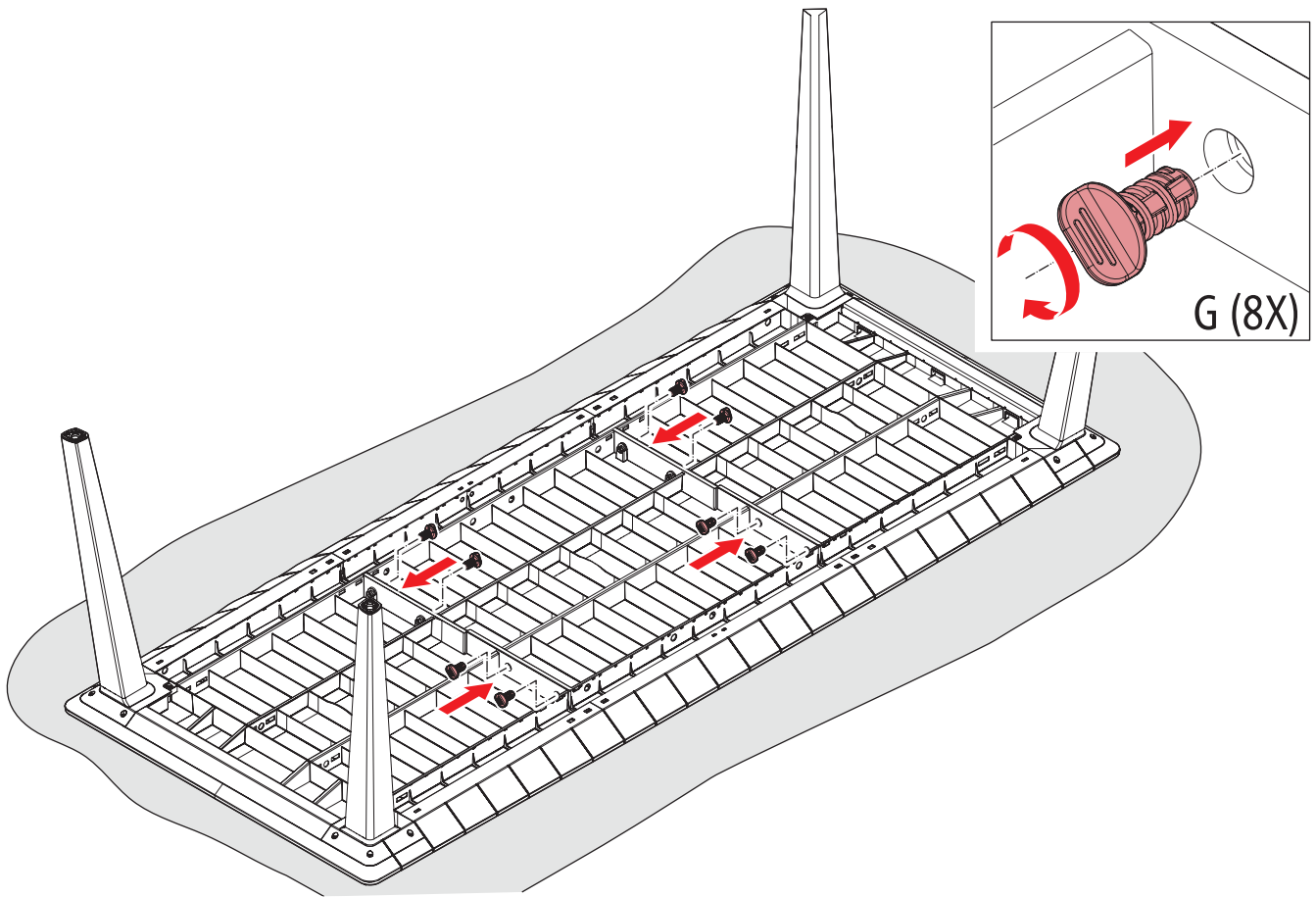
10



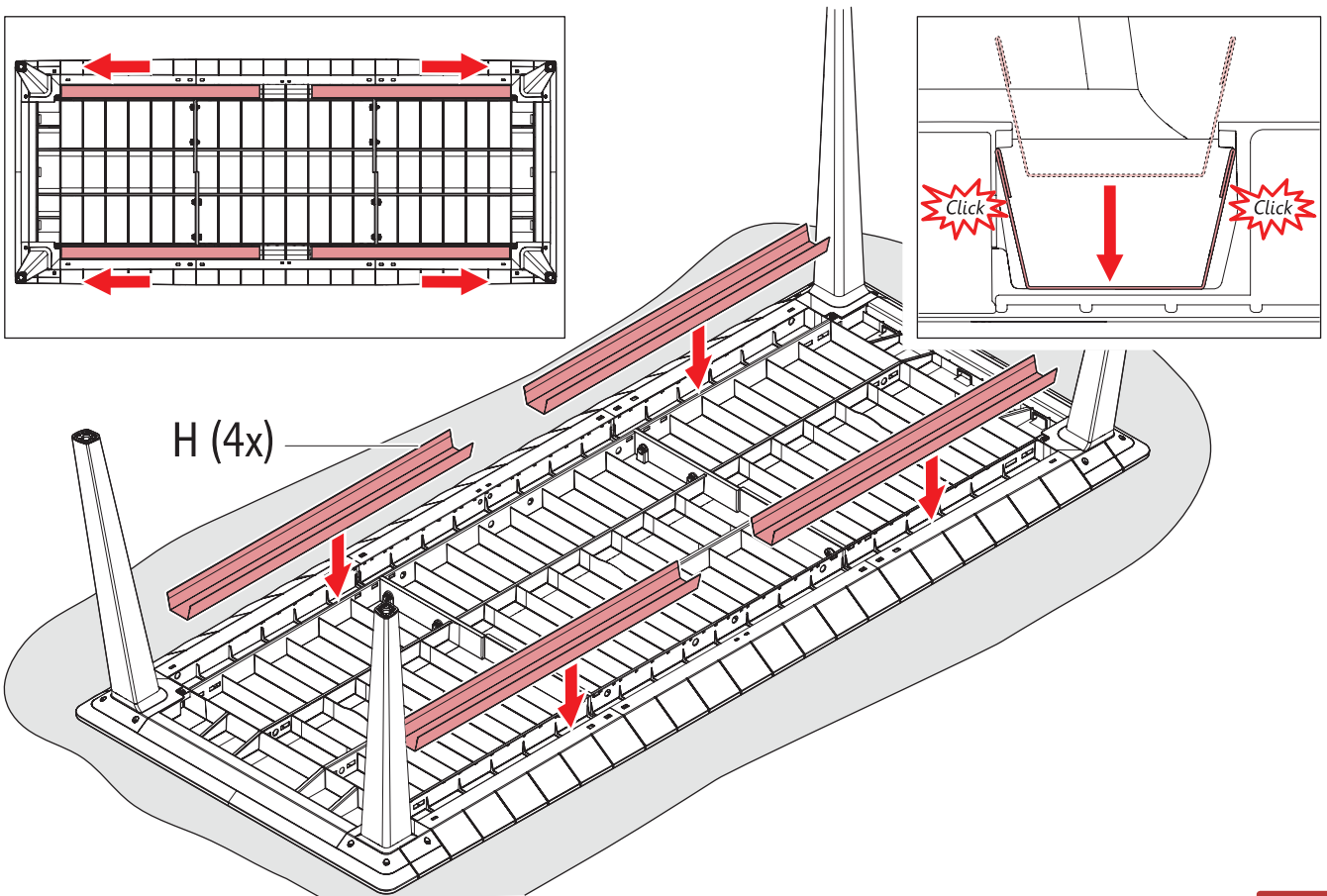
11

240

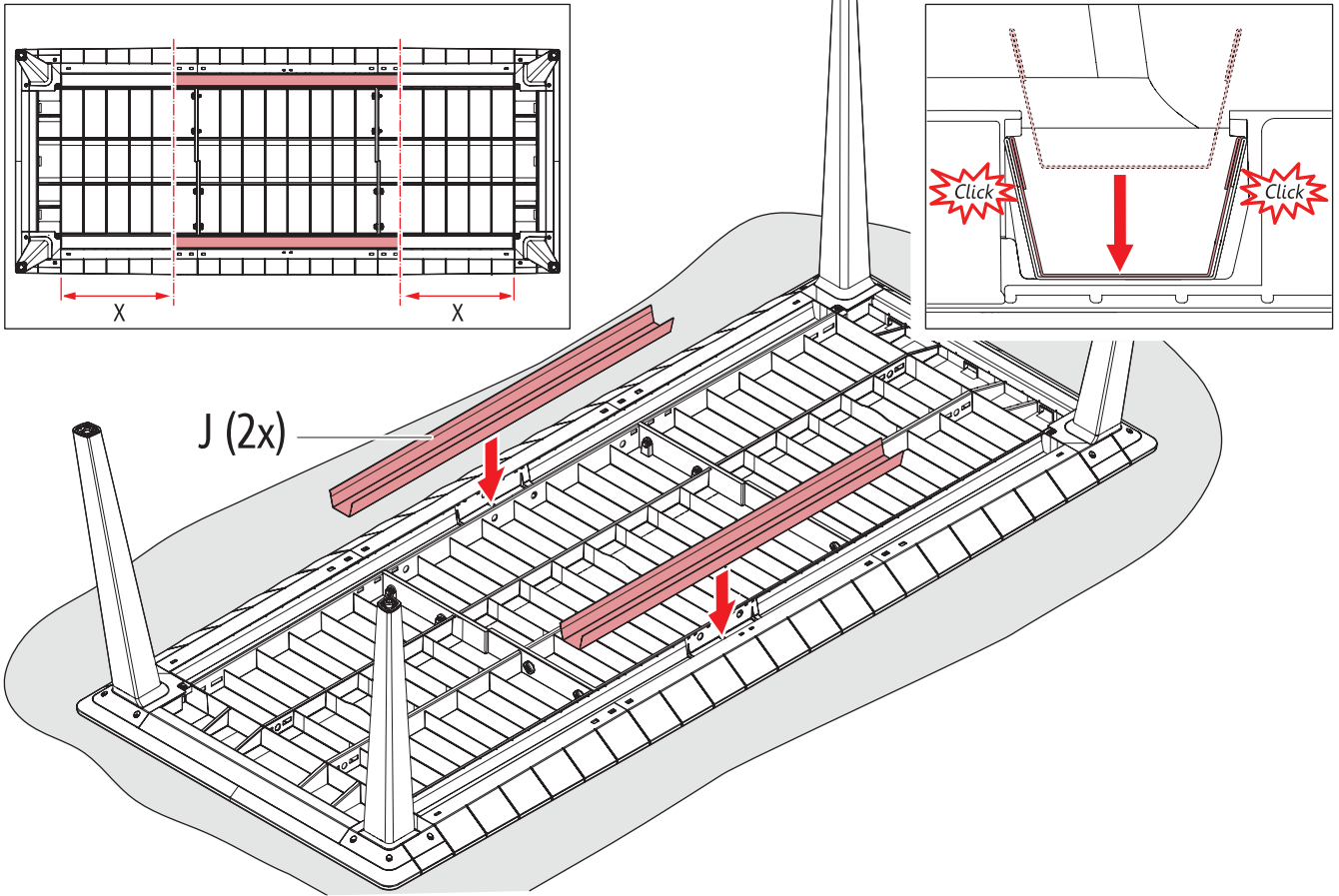




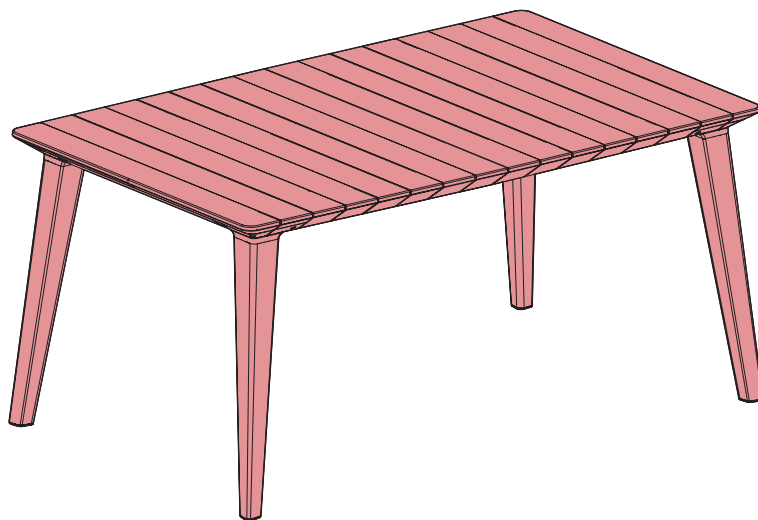
13

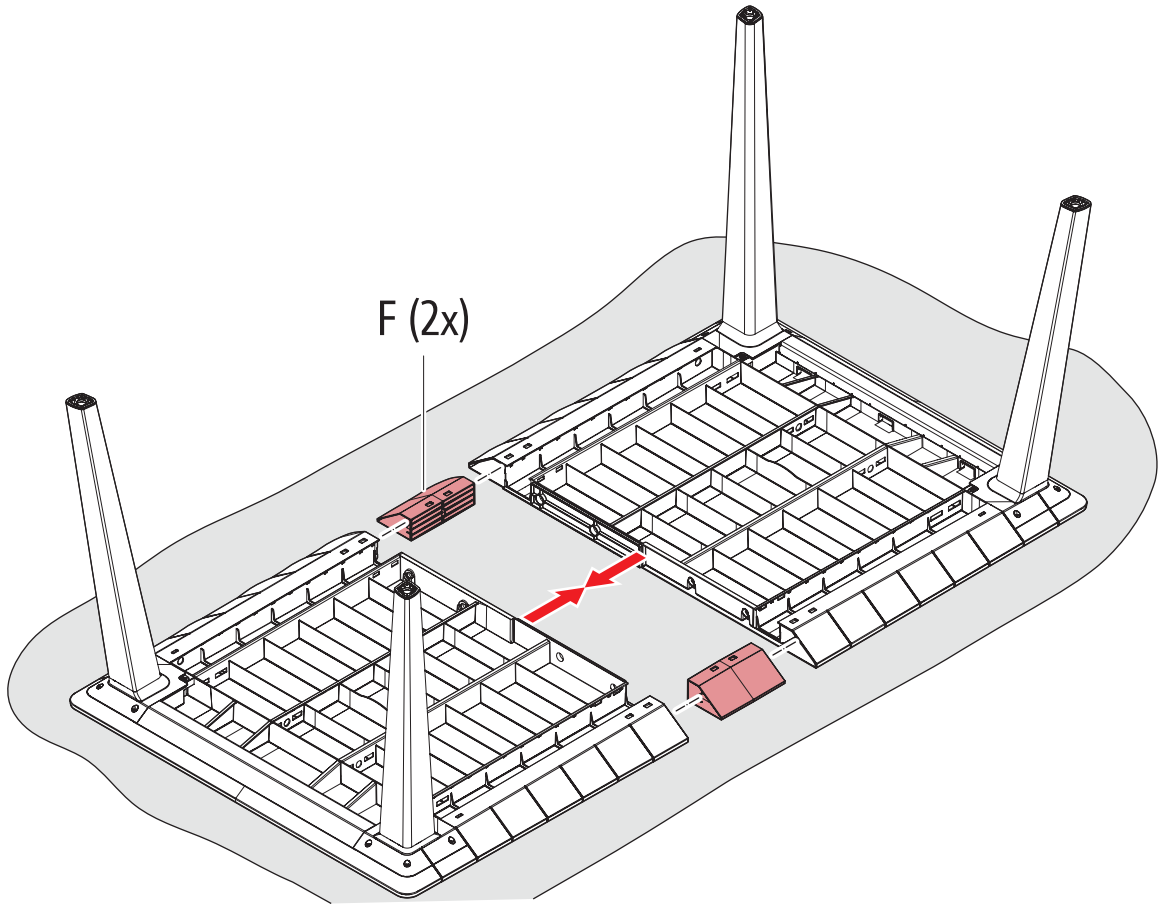


14

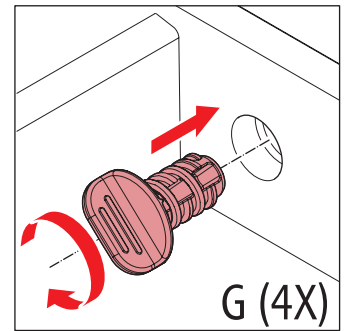
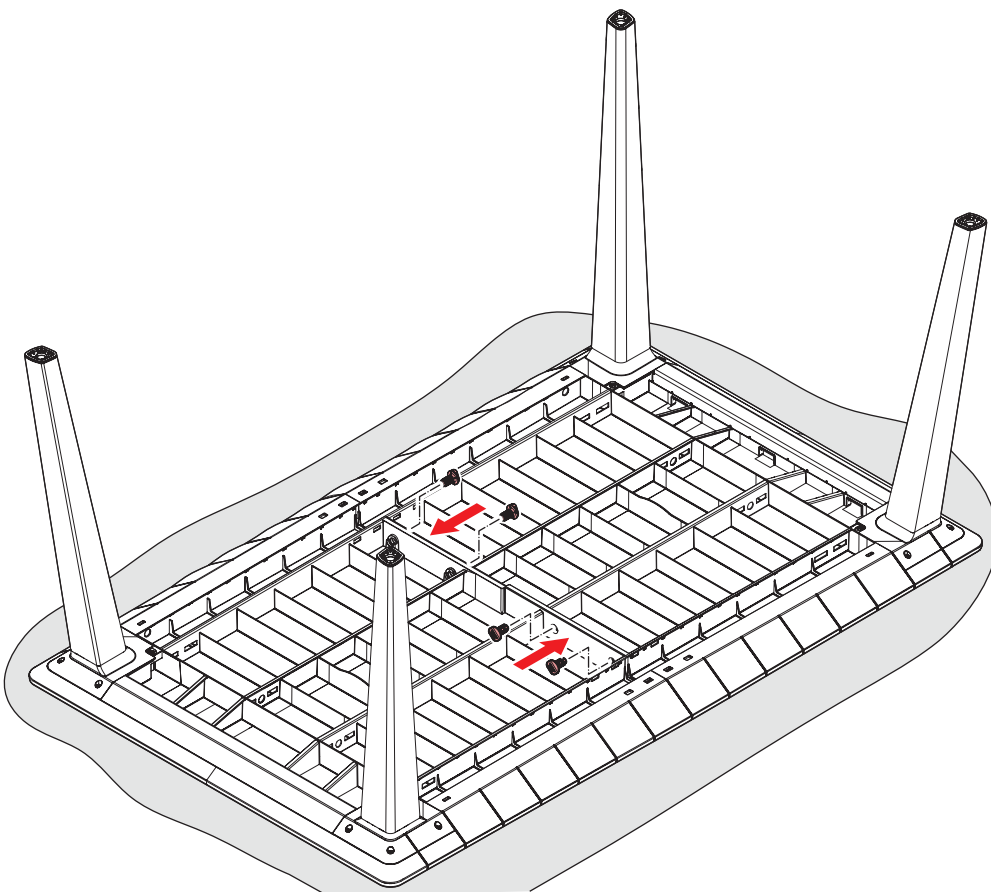


160

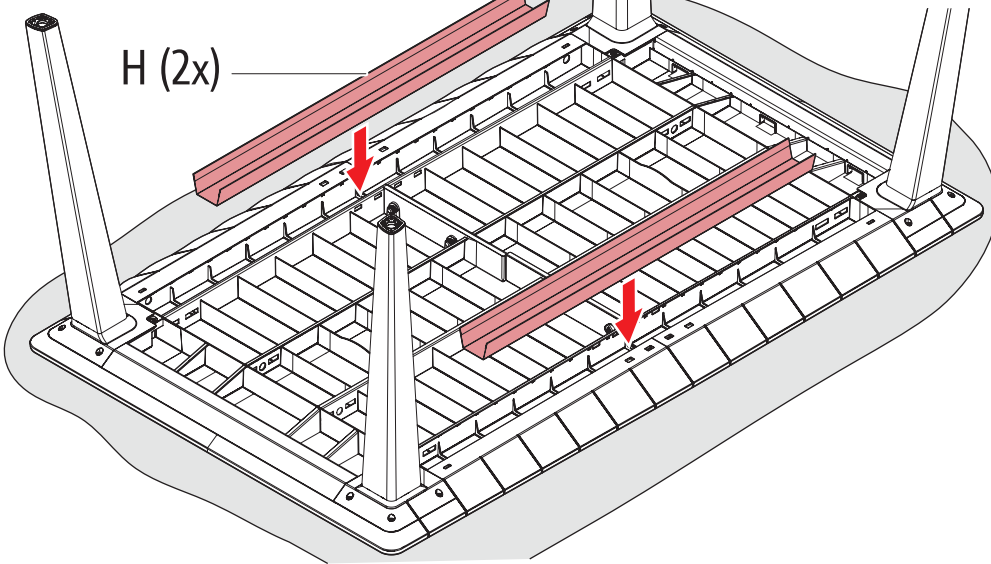
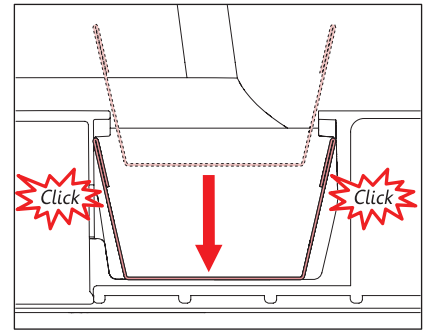
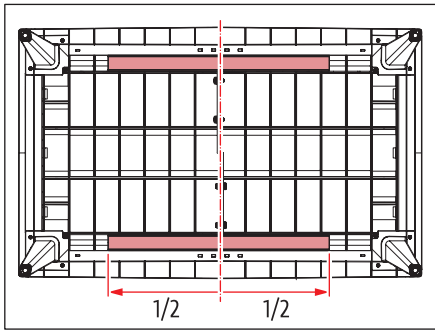




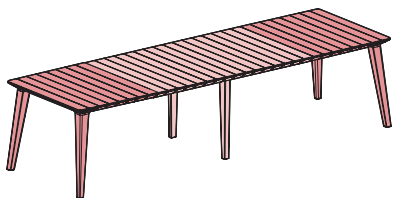
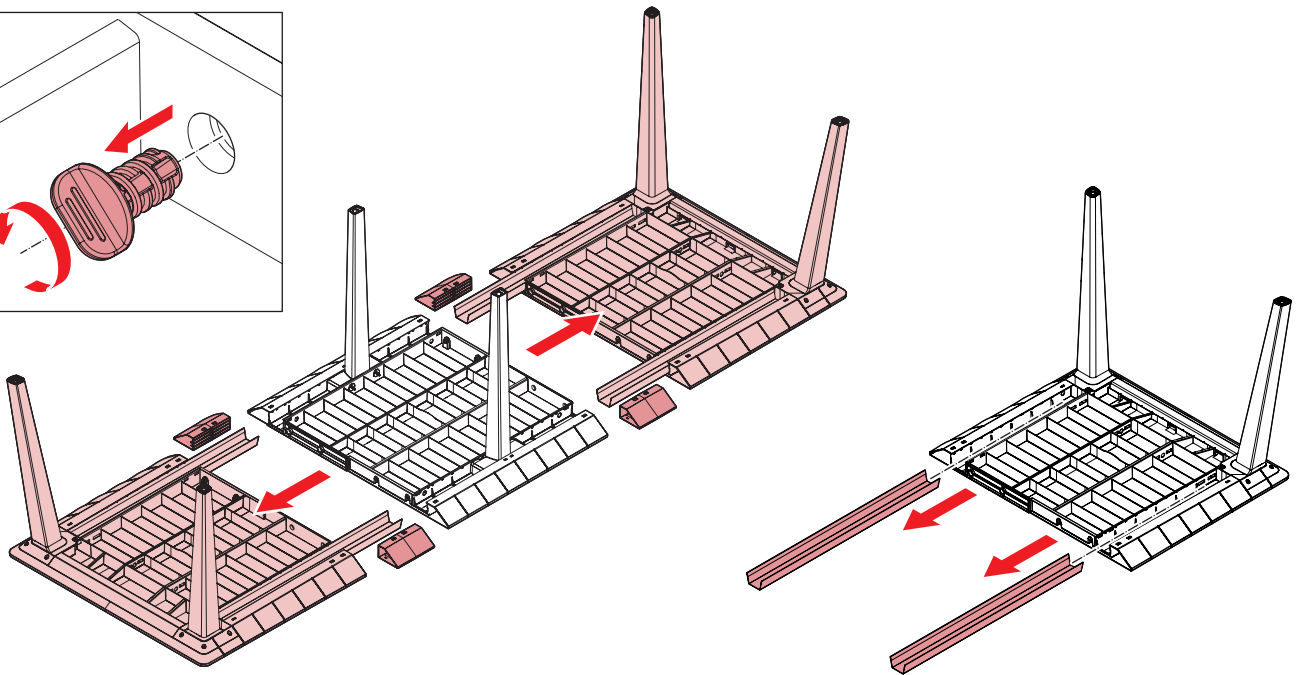
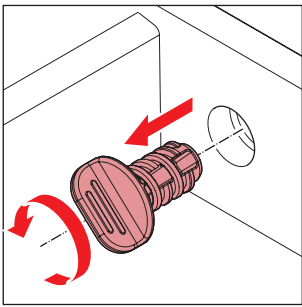
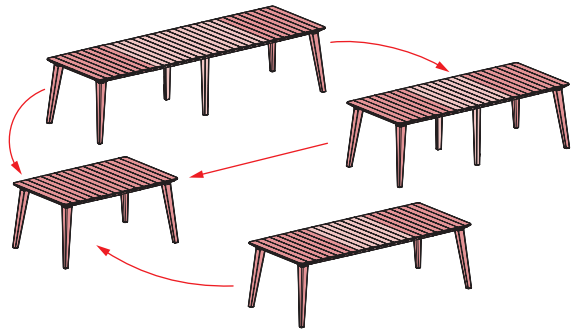
16



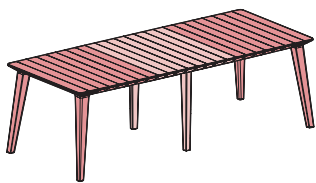
17



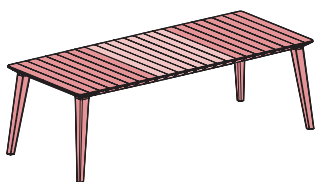




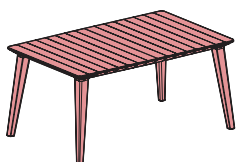
4 — 7



8 — 11



12 — 15



16 — 18

