



SAROM
FUOCO



Use Only/Utilizzare:



Charcoal/Carbonella



Wood/Legna

SALAMANCA

Sarom Code/Codice SAROM: **400033**

EAN Code/Codice EAN : **8023034043524**

BBQ Size/Ingombro BBQ : **1250x640x2413** mm


Net Weight/Peso Netto : **670** Kg


Gross Weight/Peso Lordo : **691** Kg

Envelope/Imballo : **1200x800x1780** mm

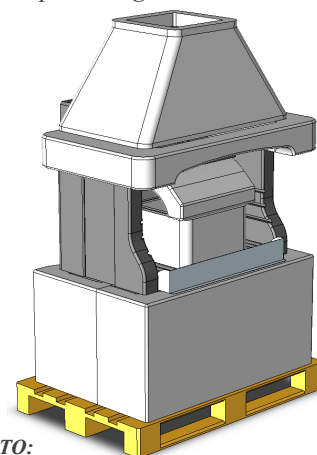
Pallet : **1200x800** mm

Versions/Versioni Montate:

B  Code: **400033B** - EAN: **8023034043531**
Dim.: **1250x800x2295** - Pall.: **1200x800**
*comignolo smontato

N  Code: **...N** - EAN: **...**
Dim.: **...** - Pall.:

Details Envelope/Dettaglio imballo:

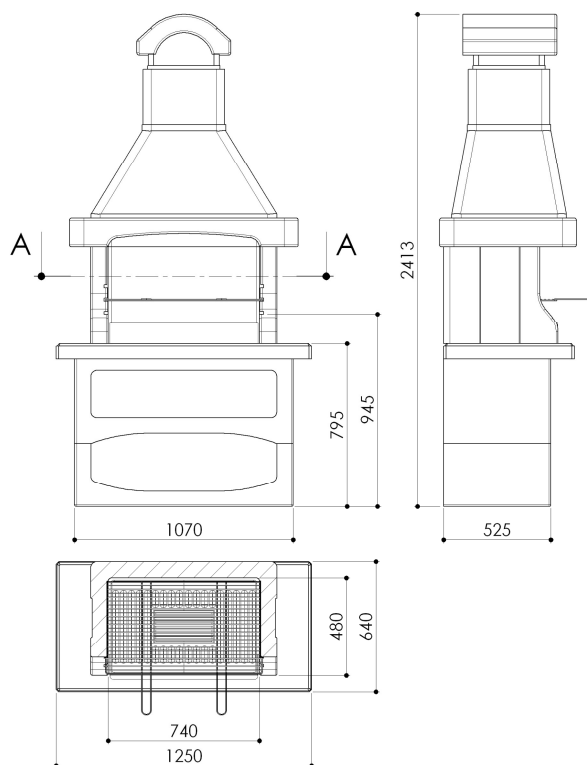
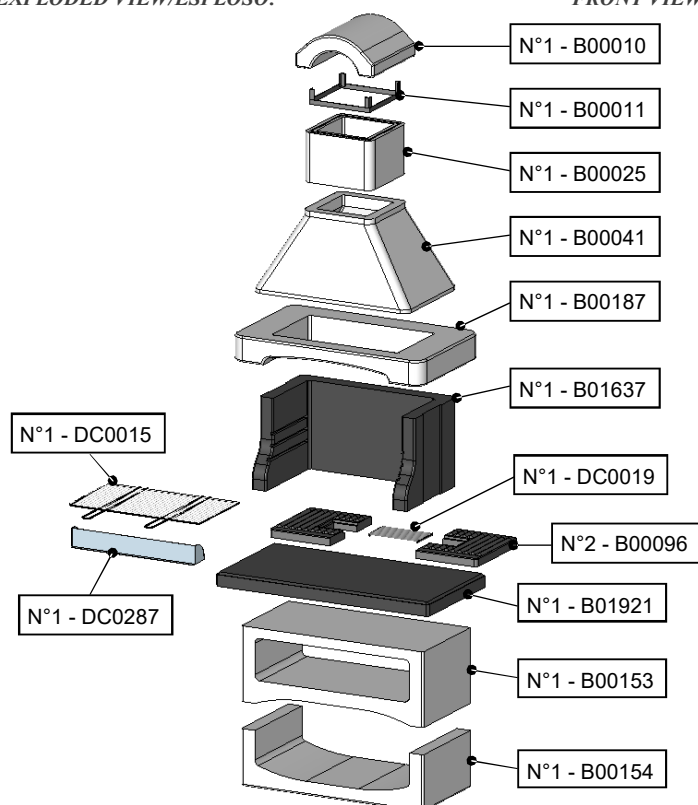


COMPONENTS INCLUDED/COMPONENTI INCLUSI:



EXPLODED VIEW/ESPLOSO:

FRONT VIEW - SIDE VIEW / VISTA FRONTE, LATO:



SEZIONE A-A

