

RAK-SENSATION W/HIDDEN FIXATIONS

Da terra | WC

RAK
CERAMICS



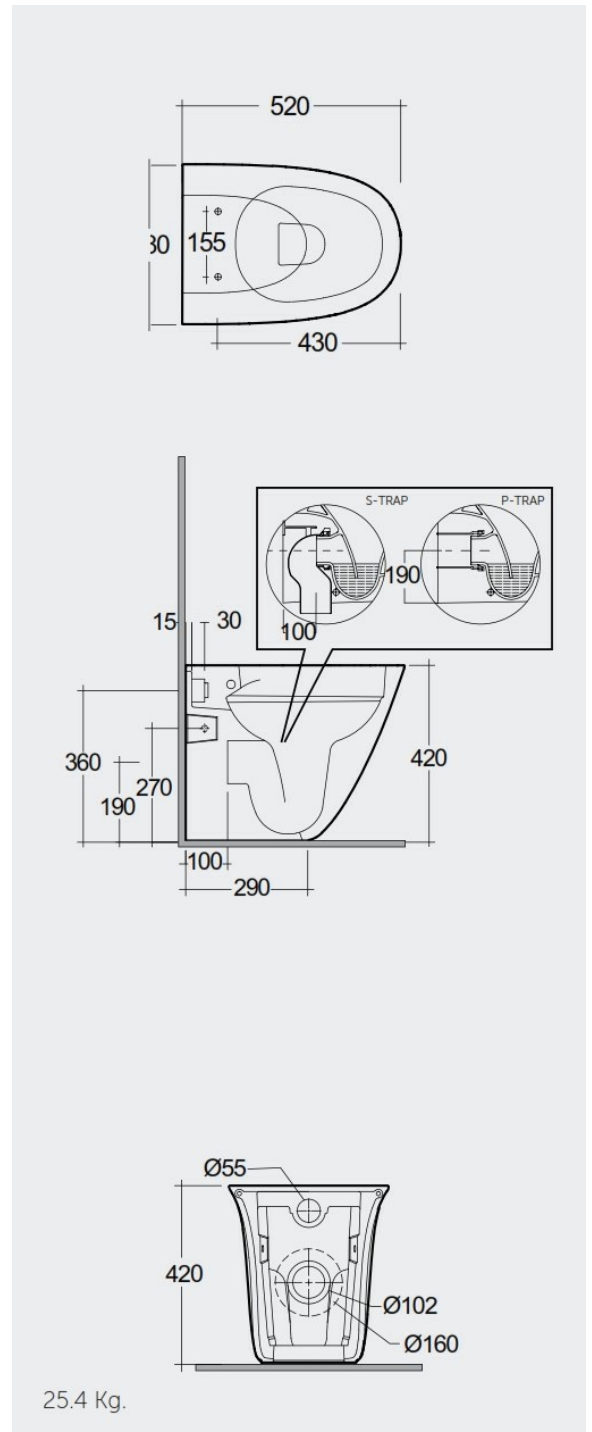
Scheda tecnica

Dimensioni:	520 x 380 mm
Peso:	25 Kg
Colore:	bianco alpino
Tipo di scarico:	A parete & A terra
Sifone:	Nascosto
Opzioni del sedile:	Urea
Forma:	Ovale
Collezione:	RAK-SENSATION

Codice

Nome

SENWC1346AWHA SENSATION WATER CLOSET FLOOR
STANDING P|S-TRAP 52CM



Dimensions: All dimensions in mm tolerance $\pm 5\%$ for below 200mm and $\pm 3\%$ for above 200mm.

Note: Due to a continuing development programme to improve design and performance, the manufacturer reserves all rights to vary specifications without prior information.

Please note accessories are for photographic use only.