



# Einhell

## HOME

### GH-DP 5225 N Dirt water pump

Art.-No. 41.704.81

Powerful and robust dirt water pump to empty garden ponds, flooded basements and construction sites. It takes foreign particles up Ø 25 mm in size. The pump is equipped with a float switch for automatic ON/OFF operation for a varying water level. High quality material is used, like stainless steel drive unit and excellent axial face seal warrant an almost maintenance-free and long-life semi-professional use. The fine-tuning between motor and drive-wheel warrant a high effectiveness in delivery.

#### Features

- Handle (1)
- Float switch (2)
- Universal connection for 25 mm (1") and 32 mm (1¼") male thread hose connection as well as G1 (ca. 33.3 mm) male thread
- 90 °angel bracket G1½ (ca. 47.8 mm) male thread x G1½ (ca. 47.8 mm) male thread (3)
- Cable reel (4)
- High quality floating ring seal (5)

#### Technical Data

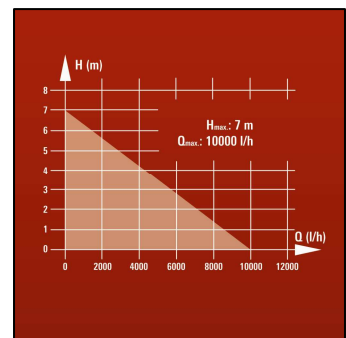
- Mains: 230 V ~ 50 Hz
- Power: 520 W
- Delivery capacity max.: 10,000 l/h
- Delivery height max.: 7 m
- Immersion depth: 5 m
- Water temperature max.: 35 °C
- Hose connection: G1½ (ca. 47.8 mm) female thread
- Foreign particle size up to: Ø 25 mm
- Mains cable: 10 m H05RN-F
- ON function: approx. 50 cm
- OFF function: approx. 5 cm
- Exhaust height: approx. 40 mm
- Product weight: 4.9 kg

#### Logistic Data

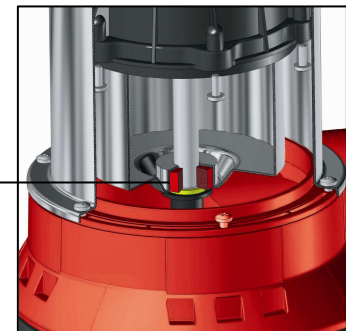
- Net weight: 4.9 kg
- Gross weight: 5.3 kg
- Packing dimensions: 220 x 180 x 375 mm
- Bar Code: 4006825 587227
- Sales Unit: 4 pcs



#### Performance data:



STAINLESS STEEL



#### As special accessory available:

PVC-drainage hose 10 m/1"  
Einhell Grey

Art.-No.: 41.737.14  
Bar code: 4006825 549249



Abbildungen können nicht im Serien-Lieferumfang enthaltenes Zubehör darstellen / Illustrations can contain accessories, which are not included in standard extent of delivery. Abbildungen ähnlich, produktionsbedingte Abweichung vorbehalten / Illustration similar (in design), production-wise modifications reserved. File: S:\shared-pool\Product-Dokumentation\T-Produktbeschreibung\30\_n0t\Originale\_Englisch\_PA04\4170481\_11012.doc Erstelldatum/create date: 26.09.2012 13:55:00Aktualisiert/up dated: 09.10.2012